

General Description

Series D41VW valves are piloted by a D1VW valve. The valves can be ordered with position control.

The minimum pilot pressure must be ensured for all operating conditions of the directional valve.

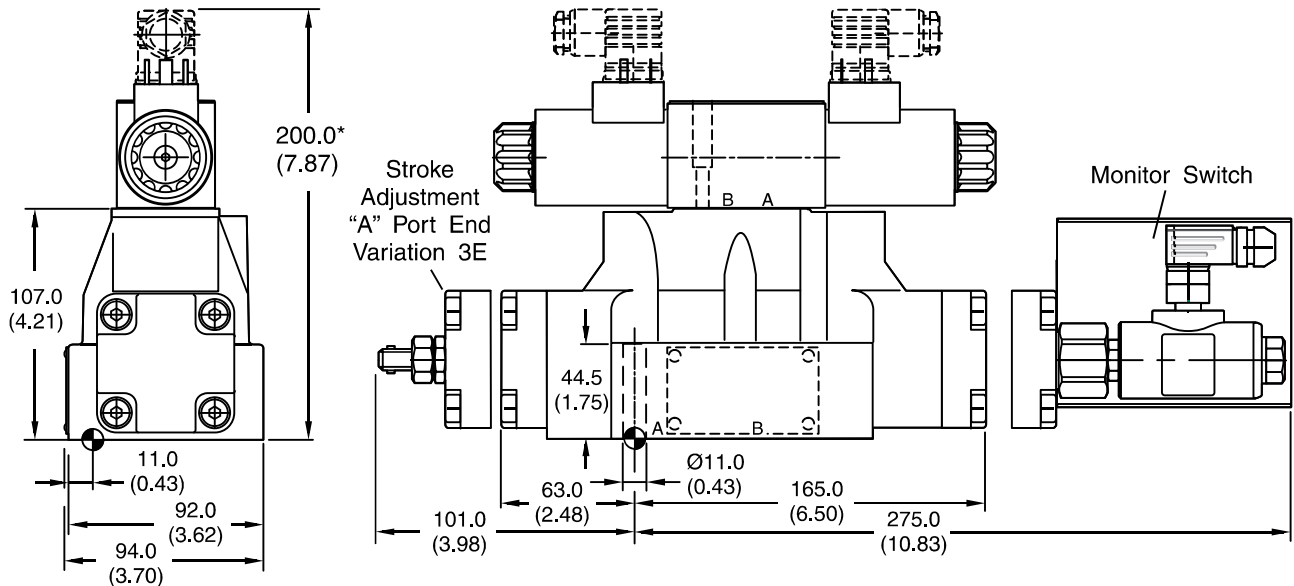
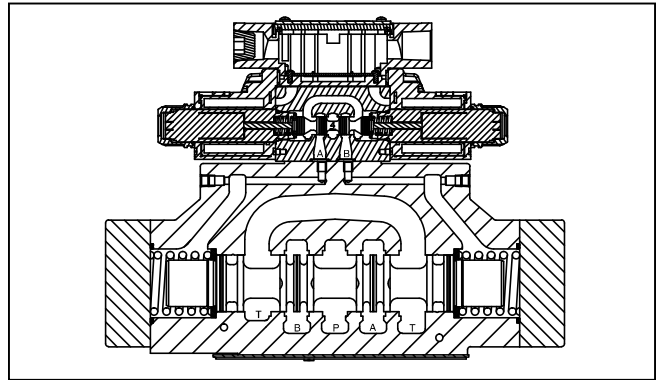
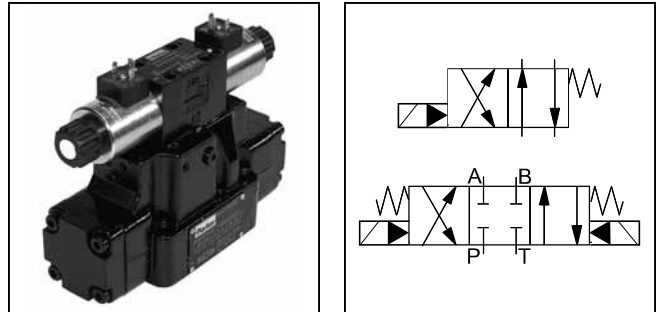
Additionally spools with a P to T connection in the de-energized position need an external pressure supply (external inlet) or an integral check valve.

Features

- **World design** – Available worldwide.
- **Mounting bolts below center line of spool** – Minimizes spool binding.
- **Five chamber style** – Eliminates pressure spikes in tubes, increasing valve life.
- **High pressure and flow ratings** – Increased performance options in a compact valve.

Dimensions

Inch equivalents for millimeter dimensions are shown in (**)



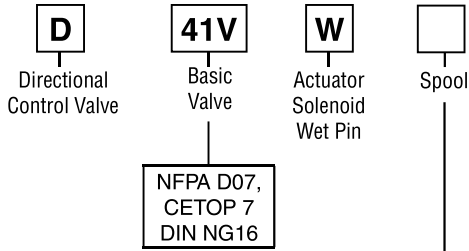
* Please add for each sandwich plate +40mm (1.58") (pressure reducing valve, pilot choke valve meter-in/-out).

Surface Finish	Kit	Kit	Kit	Seal Kit
	BK320	4x M10x60 2x M6x55 DIN 912 12.9	63 Nm (46.5 lb.-ft.) 13.2 Nm (9.7 lb.-ft.) ±15%	Nitrile: SK-D41VW-N-91 Fluorocarbon: SK-D41VW-V-91

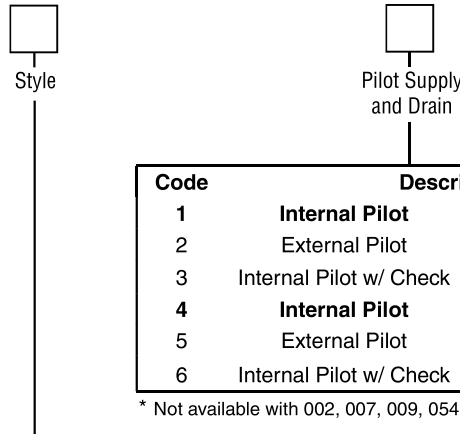
The space necessary to remove the plug per DIN 43650, design type AF is at least 15 mm.

The torque for the screw M3 of the plug has to be 0.5 to 0.6 Nm.

A



NFPA D07,
 CETOP 7
 DIN NG16



Code	Description	
1	Internal Pilot	External Drain
2	External Pilot	External Drain
3	Internal Pilot w/ Check	Internal Drain
4	Internal Pilot	Internal Drain
5	External Pilot	Internal Drain
6	Internal Pilot w/ Check	Internal Drain

* Not available with 002, 007, 009, 054 spools.

3-Position Spools	
Code	Spool Type
	a 0 b
001	
002	
003	
004	
005	
006	
007	
009	
011	
014	
015	
016	
021	
022	
054	
081	
082	

2-Position Spools	
Code	Spool Type
	a b
020	
026	
030	

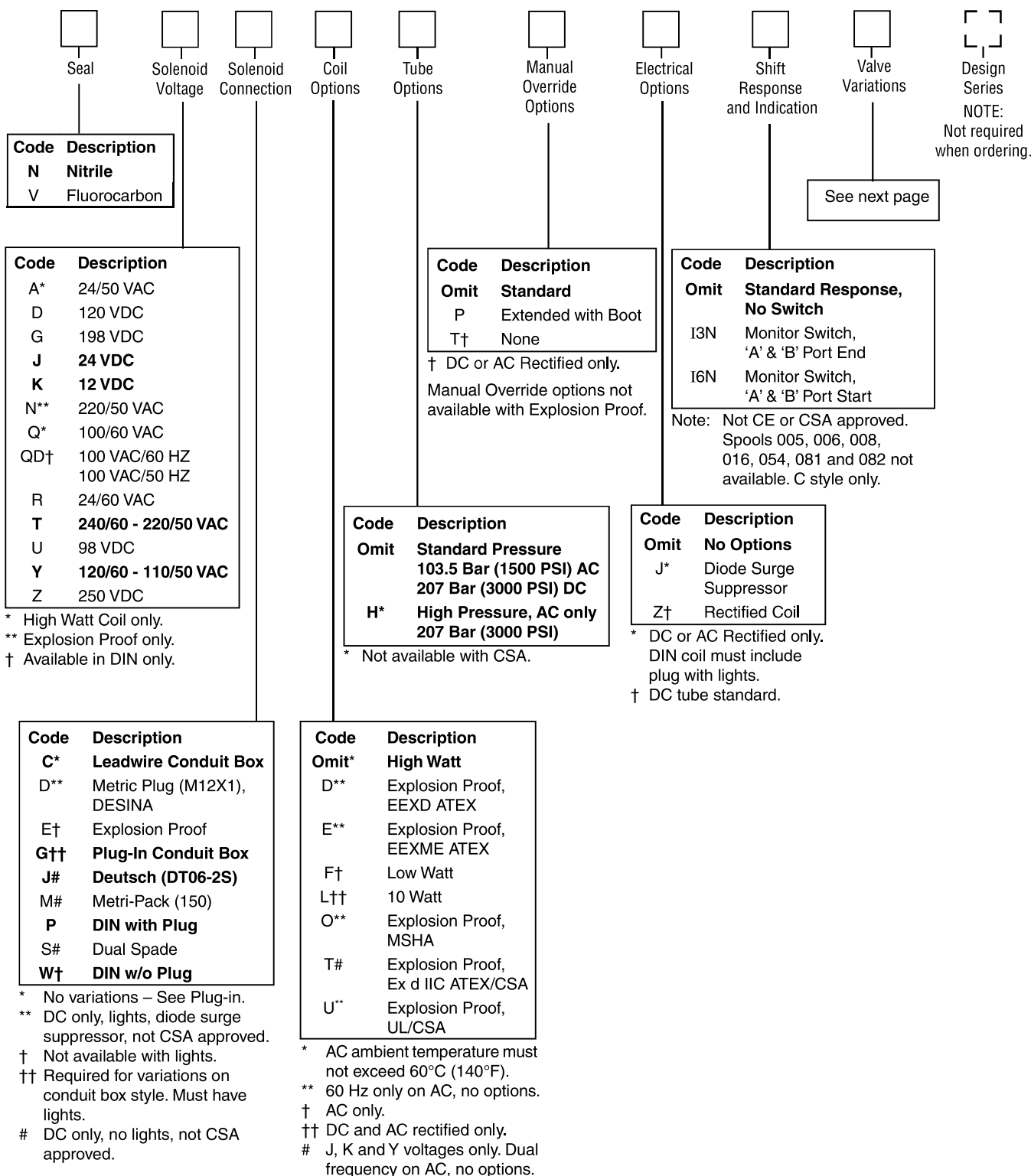
3-Position Spools		
Code	All 3-Position Spools	
C		3 positions. Spring offset in position "0". Operated in position "a" or "b".
	Standard	Spool Type 009
E	 Operated in position "a".	 Operated in position "b". 2 positions. Spring offset in position "0".
F	 Spring offset in position "b".	 Spring offset in position "a". 2 positions. Operated in position "0".
K	 Operated in position "b".	 Operated in position "a". 2 positions. Spring offset in position "0".
M	 Spring offset in position "a".	 Spring offset in position "b". 2 positions. Operated in position "0".
R	 No center in offset position.	 No center in offset position. 2 positions, detent. Operated in position "0" or "b".
S	 No center in offset position.	 No center in offset position. 2 positions, detent. Operated in position "0" or "a". No center in offset position.

2-Position Spools		
Code	Spool Position	
B		Spring offset in position "b". Operated in position "a".
D		Detent, operated in position "a" or "b". No center or offset position.
H		Spring offset in position "a". Operated in position "b".

Weight:
 Single Solenoid: 9.7 kg (21.4 lbs.)
 Double Solenoid: 10.3 kg (22.7 lbs.)

Bold: Designates Tier I products and options.

Non-Bold: Designates Tier II products and options. These products will have longer lead times.



Bold: Designates Tier I products and options.

Non-Bold: Designates Tier II products and options. These products will have longer lead times.