

The proportional directional valves D1FB (NG06) are available with and without onboard electronics (OBE).

**D1FB OBE:**

The digital onboard electronics is situated in a robust metal housing, which allows the usage under rough environmental conditions.

The nominal values are factory set. The cable connection to a serial RS232 interface is available as accessory.

**D1FB for external electronics:**

The parameters can be saved, changed and duplicated in combination with the digital power amplifier PWD00A-400.

The valve parameters can be edited with the common ProPxD software for both versions.

The D1FB valves can be ordered with spool/sleeve design (D1FB\*0) for maximum precision as well as spool/body design (D1FB\*3) for high nominal flow - see functional limit curves for maximum flow capability.

Valves with explosion proof solenoids Ex e mb II see catalogueMSG11-3343.

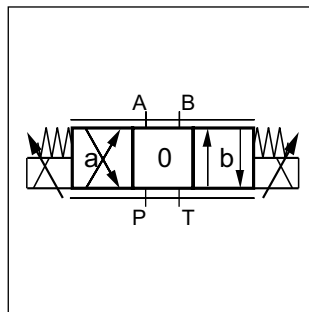
Download: [www.parker.com/ISDE](http://www.parker.com/ISDE), see "Support"



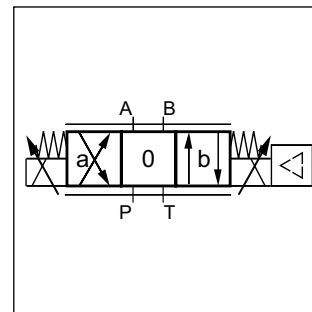
D1FB



D1FB OBE



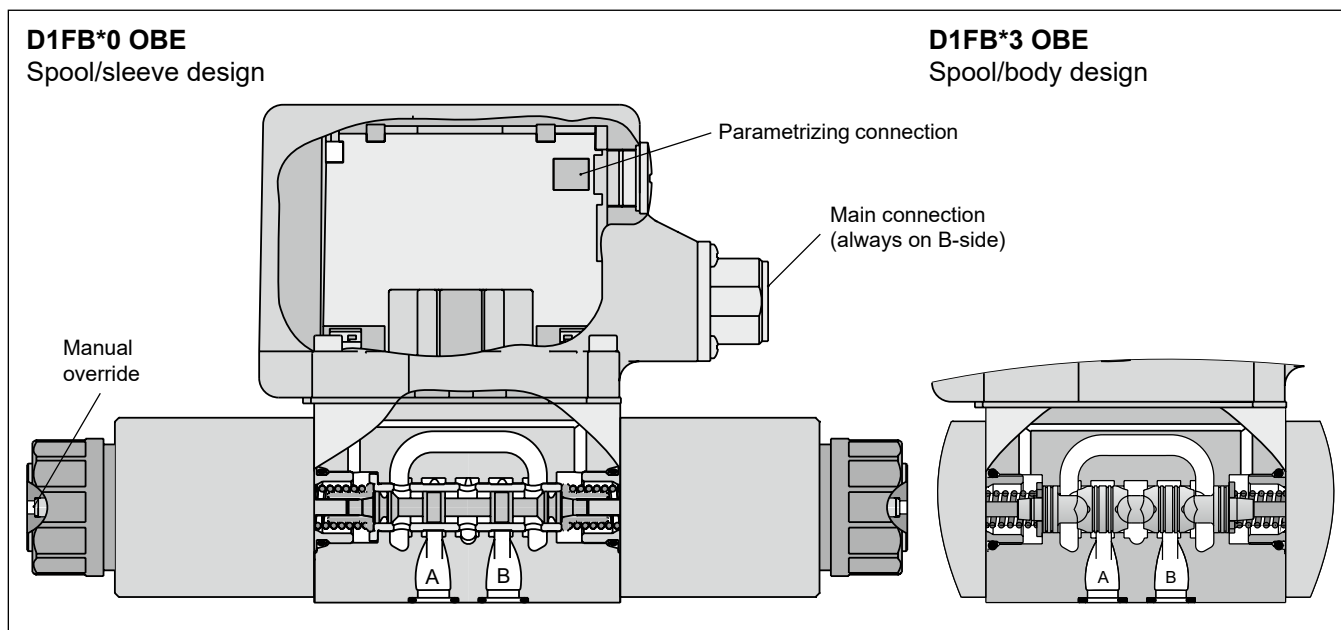
D1FB



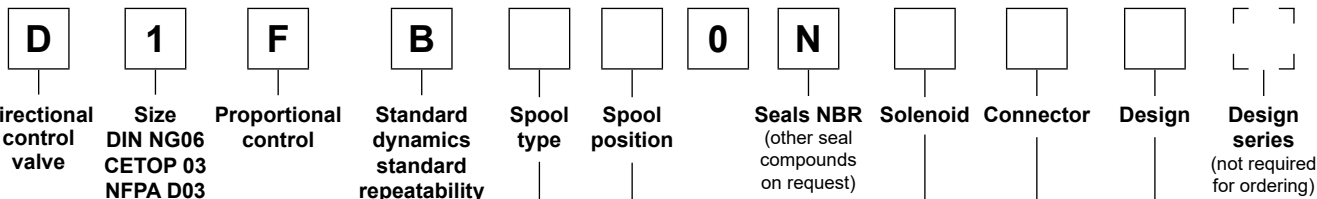
D1FB OBE

**Features**

- Spool/sleeve and spool/body
- 3 command options for D1FB OBE:  
+/- 10 V, 4...20 mA, +/- 20 mA
- High repeatability from valve to valve
- Low hysteresis
- Manual override
- Digital onboard electronics



**D1FB**



**3**

D1FB*0: Spool/sleeve design		
Code	Spool type	Flow [l/min] at Δp 5 bar per metering edge
Overlap		
E01C		6
E01F		12
E01H		20
E02C		6
E02F		12
E02H		20
E03C		6
E03F		12
E03H		20
B31F		12 / 6
B31H		20 / 10
B32F		12 / 6
B32H		20 / 10

D1FB*3: Spool/body design		
Code	Spool type	Flow [l/min] at Δp 5 bar per metering edge
Overlap		
E01F		10
E01H		20
E01K		30
E02F		10
E02H		20
E02K		30
B31F		10 / 5
B31H		20 / 10
B31K	30 / 15	
B32F		10 / 5
B32H		20 / 10
B32K	30 / 15	

Code	Design
0	Spool/sleeve design
3	Spool/body design

Code	Connector
W 1)	Connector as per EN 175301-803
J 1) 2)	Connector DT04-2P "Deutsch"

D1FB*0: Spool/sleeve design	
Code	Solenoid
M	9 V / 2.7 A
J	24 V / 0.8 A

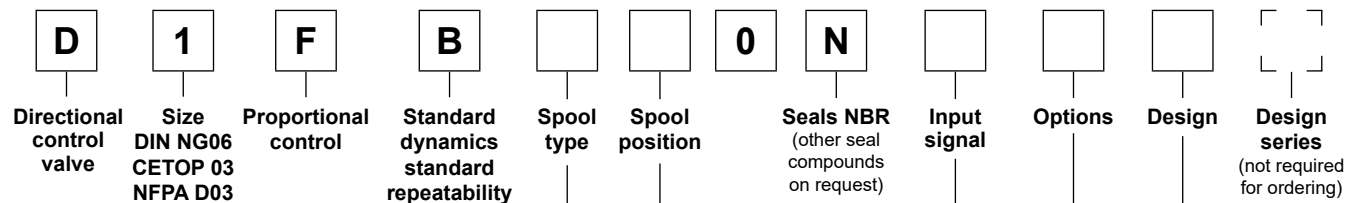
D1FB*3: Spool/body design	
Code	Solenoid
K	12 V / 2.2 A
J	24 V / 1.1 A

Code	Design
C	
E	
K	

Short delivery time  
for all variations

1) Please order connector separately, see chapter 3 accessories.  
 2) Not for spool/sleeve design.

**D1FB OBE (with onboard electronics)**



D1FB*0: Spool/sleeve design		
Code	Spool type	Flow [l/min] at Δp 5 bar per metering edge
Overlap		
E01C		6
E01F		12
E01H		20
E02C		6
E02F		12
E02H		20
E03C		6
E03F		12
E03H		20
B31F	$Q_B = Q_A/2$ 	12 / 6
B31H		20 / 10
B32F	$Q_B = Q_A/2$ 	12 / 6
B32H		20 / 10

D1FB*3: Spool/body design		
Code	Spool type	Flow [l/min] at Δp 5 bar per metering edge
Overlap		
E01F		10
E01H		20
E01K		30
E02F		10
E02H		20
E02K		30
B31F	$Q_B = Q_A/2$ 	10 / 5
B31H		20 / 10
B31K		30 / 15
B32F	$Q_B = Q_A/2$ 	10 / 5
B32H		20 / 10
B32K		30 / 15

Code	Design
0	Spool/sleeve design
3	Spool/body design

Code	Input signal <sup>2)</sup>	Function	Port	Options
F0	0...+/-10 V	0...+10 V > P-A	6 + PE	Potentiometer supply
G0	0...+/-20 mA	0...+20 mA > P-A	6 + PE	—
S0	4...20 mA	12...20 mA > P-A	6 + PE	—
W5 <sup>1)</sup>	0...+/-10 V 4...20 mA	0...+10 V > P-A 12...20 mA > P-A	11 + PE	Command channel & potentiometer supply

Code	Design
C	
E	
K	

Please order connector separately, see chapter 3 accessories.  
 Parametrizing cable OBE® RS232: Item no. 40982923

Short delivery time  
 for all variations

<sup>1)</sup> Factory set ± 10 V on delivery.

<sup>2)</sup> Single solenoid always 0...+10 V respectively 4...20 mA.